

NS 32 PERF 2000MM-VPE 10 - DIN rail perforated



1201002

<https://www.phoenixcontact.com/au/products/1201002>

Please be informed that the data shown in this PDF document is generated from our Online Catalog. Please find the complete data in the user documentation. Our General Terms of Use for Downloads are valid.



DIN rail perforated, acc. to EN 60715, material: Steel, galvanized, passivated with a thick layer, G profile, color: silver, Pack of 10 (20 m)

Commercial Data

Item number	1201002
Packing unit	10 pc
Minimum order quantity	5 pc
Sales Key	BG4264
Product Key	BE7264
Catalog Page	Page 534 (C-3-2019)
GTIN	4017918017132
Weight per Piece (including packing)	1,380 g
Weight per Piece (excluding packing)	1,380 g
Customs tariff number	72166190
Country of origin	DE

NS 32 PERF 2000MM-VPE 10 - DIN rail perforated



1201002

<https://www.phoenixcontact.com/au/products/1201002>

Technical Data

Product properties

Product type	DIN rail
--------------	----------

Dimensions

Dimensional drawing	
Width	32 mm
Hole width	15 mm
Height	15 mm
Hole height	6.2 mm
Length	2000 mm
Drill hole spacing	25 mm

Material specifications

Color	silver
Material	Steel
Coating	galvanized, passivated with a thick layer

Standards and regulations

Connection in acc. with standard	IEC / EN
Tests	acc. to EN 60715

NS 32 PERF 2000MM-VPE 10 - DIN rail perforated

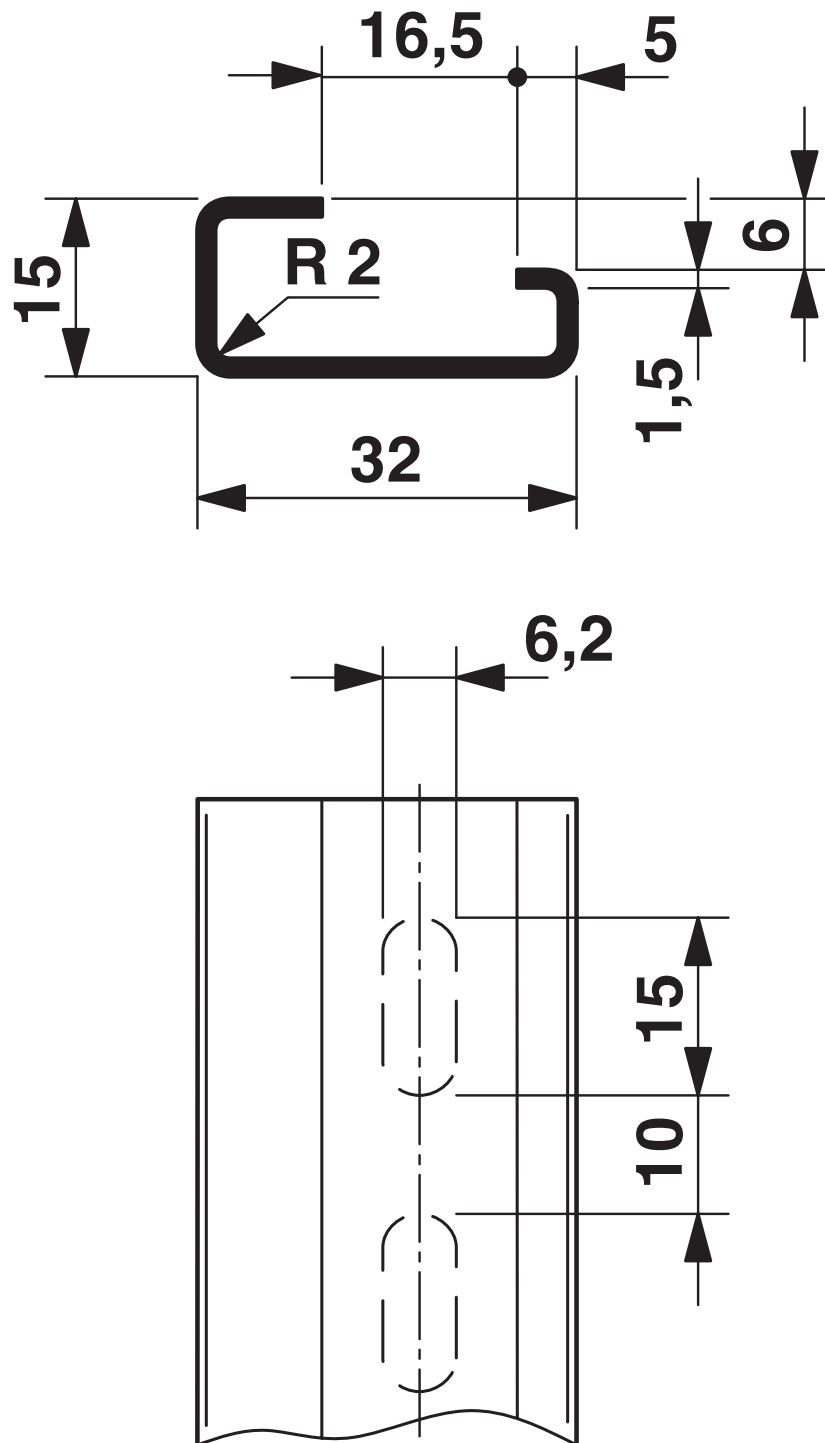


1201002

<https://www.phoenixcontact.com/au/products/1201002>

Drawings

Dimensional drawing



NS 32 PERF 2000MM-VPE 10 - DIN rail perforated



1201002

<https://www.phoenixcontact.com/au/products/1201002>

Classifications

ECLASS

ECLASS-11.0	27400602
ECLASS-13.0	Tragschiene
ECLASS-13.0	Tragschiene
ECLASS-12.0	27400602

ETIM

ETIM 8.0	EC001285
----------	----------

UNSPSC

UNSPSC 21.0	39121700
-------------	----------

NS 32 PERF 2000MM-VPE 10 - DIN rail perforated



1201002

<https://www.phoenixcontact.com/au/products/1201002>

Environmental Product Compliance

China RoHS	Environmentally friendly use period: unlimited = EFUP-e No hazardous substances above threshold values
------------	---

Phoenix Contact 2023 © - all rights reserved
<https://www.phoenixcontact.com>

PHOENIX CONTACT PTY Ltd
Unit 7, 2-8 South Street
Rydalmere NSW 2116
1300 786 411
customerservice@phoenixcontact.com.au