

NS 15 PERF 2000MM VPE 10 - DIN rail perforated



1401682

<https://www.phoenixcontact.com/au/products/1401682>

Please be informed that the data shown in this PDF document is generated from our Online Catalog. Please find the complete data in the user documentation. Our General Terms of Use for Downloads are valid.



DIN rail perforated, acc. to EN 60715, material: Steel, galvanized, passivated with a thick layer, Standard profile, color: silver, Pack of 10 (20 m)

Commercial Data

Item number	1401682
Packing unit	10 pc
Minimum order quantity	1 pc
Sales Key	BG4224
Product Key	BE7224
Catalog Page	Page 523 (C-3-2019)
GTIN	4017918020491
Weight per Piece (including packing)	332 g
Weight per Piece (excluding packing)	332 g
Customs tariff number	72166190
Country of origin	DE

NS 15 PERF 2000MM VPE 10 - DIN rail perforated



1401682

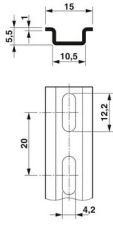
<https://www.phoenixcontact.com/au/products/1401682>

Technical Data

Product properties

Product type	DIN rail
--------------	----------

Dimensions

Dimensional drawing	
Width	15 mm
Hole width	12.2 mm
Height	5.5 mm
Hole height	4.2 mm
Length	2000 mm
Drill hole spacing	20 mm

Material specifications

Color	silver
Material	Steel
Coating	galvanized, passivated with a thick layer

Standards and regulations

Connection in acc. with standard	IEC / EN
Tests	acc. to EN 60715

NS 15 PERF 2000MM VPE 10 - DIN rail perforated

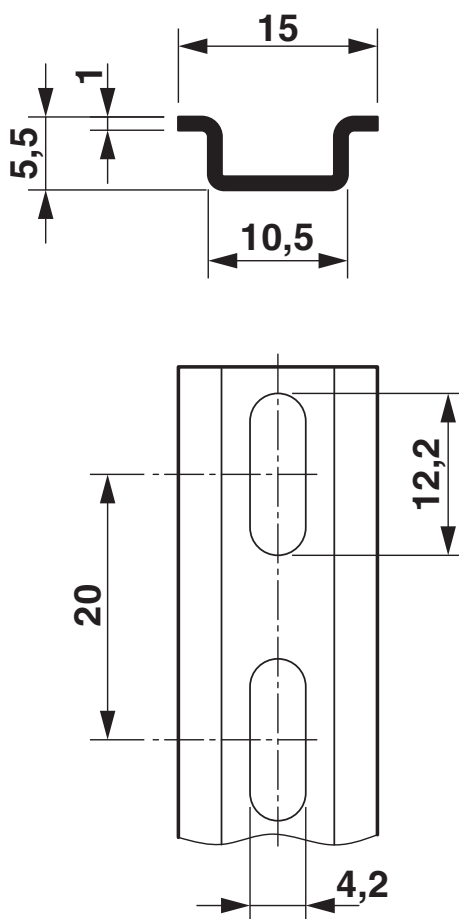
1401682

<https://www.phoenixcontact.com/au/products/1401682>



Drawings

Dimensional drawing



NS 15 PERF 2000MM VPE 10 - DIN rail perforated



1401682

<https://www.phoenixcontact.com/au/products/1401682>

Classifications

ECLASS

ECLASS-11.0	27400602
ECLASS-12.0	27400602

ETIM

ETIM 8.0	EC001285
----------	----------

UNSPSC

UNSPSC 21.0	39121700
-------------	----------

NS 15 PERF 2000MM VPE 10 - DIN rail perforated



1401682

<https://www.phoenixcontact.com/au/products/1401682>

Environmental Product Compliance

China RoHS	Environmentally friendly use period: unlimited = EFUP-e No hazardous substances above threshold values
------------	---

Phoenix Contact 2023 © - all rights reserved
<https://www.phoenixcontact.com>

PHOENIX CONTACT PTY Ltd
Unit 7, 2-8 South Street
Rydalmere NSW 2116
1300 786 411
customerservice@phoenixcontact.com.au