

# S1 Electrical Enclosure

# IP-504020

**STEEL | SINGLE DOOR | IP66**

**500H x 400W x 200D**

**IP Enclosures S1 Range of steel electrical enclosures are suitable for general industrial applications.**

**Protection:** Complies with IP66 IK10, NEMA 4 (Independent accredited test laboratory)

**Standard:** IEC62208, IEC/EN/AS60529 (IEC/EN/AS61439 Compliant, Optional UL508A)



**Material:**

- Body: 1.2mm galvanised steel sheet
- Gland Plate: 1.5mm galvanised steel sheet
- Door: 1.5mm galvanised steel sheet
- Device Mounting Plate: 1.5mm galvanised steel sheet
- Seal: Polyurethane

**Body:** The robust monoblock body is fabricated using 1.2mm galvanised steel sheet. Flat face sealing surfaces are provided to increase seal life. Pre-fitted blind nutserts are incorporated to accommodate mounts and accessory fasteners to eliminate drilling and retain IP rating. Integral device plate mounts and M6 earth stud is provided.

**Single Door:** The robust surface mounted door is fabricated using 1.5mm galvanised steel sheet and incorporates concealed removable hinges with captive pins. The door is designed for a 110° opening. Each door contains integral cable management rail studs, M6 earth stud.

**Seal:** A high quality machine-applied full perimeter UL listed Polyurethane seal foamed in place (FIP) provides excellent sealing over a long life. Temperature resistance -40°C to 80°C (160°C short term loading).

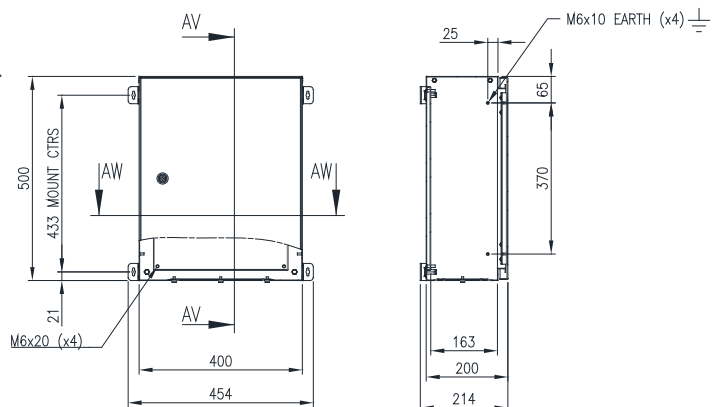
**Lock:** Chrome 5mm double bit insert quarter turn lock and key.

**Device Mounting Plate:** The device mounting plate is fabricated using 1.5mm galvanised steel sheet, pressed to provide additional strength and supplied pre-fitted into enclosure as standard.

**Gland Plate:** Gland plates are provided with gaskets and fasteners.

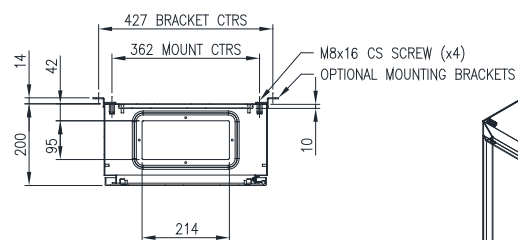
**Surface Treatment:** UL approved epoxy polyester powder-coated with a textured finish. 80-120 micron average thickness. Colour RAL7035.

**Mass:** 12.0kg



FRONT VIEW

SECTION AV-AV



SECTION AW-AW

